

1 2 3 4

A

A

B

B

C

C

D

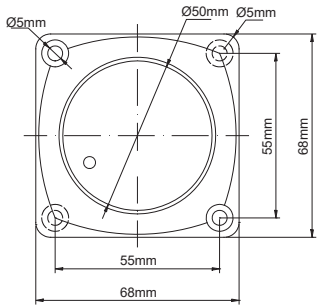
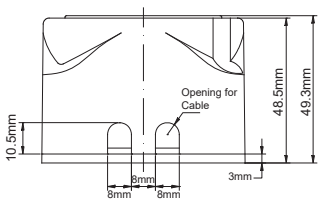
D

E

E

F

F



| | | | | |
|---|--|------------------------------------|---------------------|--------------|
| | | Drawn by Римский Ченг | Date 27 Feb 2017 | Scale 1:1 |
| BATTEK www.batteksystem.com | | Voltage Sensitive Relay | | |
| | | VSR-SS-12V-140A VSR-DS-12V-140A | Version R01 | Page 1/1 |

1 2 3 4